

--	--	--	--	--	--	--	--	--	--

Third Semester B.E. Degree Examination, June/July 2017
Analog Electronic Circuits

Time: 3 hrs.

Max. Marks:100

Note: Answer FIVE full questions, selecting at least TWO questions from each part.

PART – A

- 1 a. With respect to a semiconductor diode, explain the following:
 - (i) Reverse recovery time
 - (ii) Diffusion capacitance. (06 Marks)
- b. Explain the working of full wave bridge rectifier and derive the expression for ripple factor and efficiency. (08 Marks)
- c. Design an ideal clamper circuit to obtain the output waveform as shown in Fig. Q1 (c) for the given input. (06 Marks)

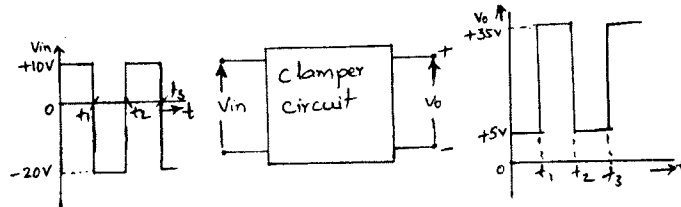


Fig. Q1 (c)

- 2 a. Explain with help of load line the effect of variation of V_{CC} , I_B on Q-point of a transistor. (06 Marks)
- b. Derive the expression for stability factors for voltage divider bias circuit with respect to I_{CO} , V_{BE} and β . (06 Marks)
- c. Determine the voltage V_{CE} and the current I_C for the voltage divider configuration shown in Fig. Q2 (c) (08 Marks)

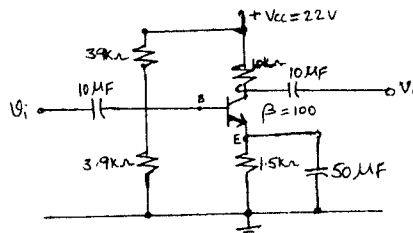


Fig. Q2 (c)

- 3 a. Draw the re-equivalent circuit of CE fixed bias configuration and derive the expression for Z_{in} , Z_O and A_v . (10 Marks)
- b. What are the advantages of h-parameters? (04 Marks)
- c. For the network shown in Fig. Q3 (c), determine r_o , Z_i , Z_o , A_v . (06 Marks)

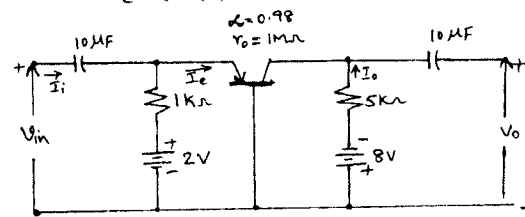


Fig. Q3 (c)

Important Note: 1. On completing your answers, compulsorily draw diagonal cross lines on the remaining blank pages.
 2. Any scribbling or underlining of answers may be considered as cheating and will be treated as such.

- 4 a. Obtain expression for Miller effect input and Miller effect output capacitance. (06 Marks)
 b. Draw and discuss the effect of various capacitors on high frequency response. (06 Marks)
 c. Determine the lower cutoff frequency for the voltage divider bias BJT amplifier with $C_S = 10 \mu\text{F}$, $C_C = 1 \mu\text{F}$, $C_E = 20 \mu\text{F}$, $R_S = 1 \text{ K}\Omega$, $R_1 = 40 \text{ K}\Omega$, $R_2 = 10 \text{ K}\Omega$, $R_E = 2 \text{ K}\Omega$, $R_C = 4 \text{ K}\Omega$, $R_L = 2.2 \text{ K}\Omega$, $\beta = 100$, $r_o = \infty \Omega$, $V_{CC} = 20\text{V}$ (08 Marks)

PART – B

- 5 a. Explain the important advantages of a negative feedback amplifier. (04 Marks)
 b. Obtain expression for Z_{if} and Z_{of} for voltage series feedback amplifier. (08 Marks)
 c. Why do we cascade amplifier? State the various method of cascading transistor amplifier. A given amplifier arrangements has the following voltage gains. $A_{V_1} = 10$, $A_{V_2} = 20$ and $A_{V_3} = 40$. What is the overall voltage gain? Also express each gain in dB and determine the total voltage gain in dB? (08 Marks)
- 6 a. With a neat circuit diagram, explain the operation of a transformer coupled class A power amplifier. (06 Marks)
 b. Prove that the maximum conversion efficiency in class B power amplifier is 78.5%. (08 Marks)
 c. A power amplifier has harmonic distortions $D_2 = 0.1$, $D_3 = 0.02$, $D_4 = 0.01$, the fundamental current $I_1 = 4$ Amps and $R_L = 8 \Omega$. Calculate the total harmonic distortion, fundamental power and total power. (06 Marks)
- 7 a. State Barkhausen criteria for sustained oscillations apply this to a transistorized Weinbridge oscillator and explain its operation. (10 Marks)
 b. Explain the working of BJT Colpitt's oscillator. (06 Marks)
 c. Calculate the frequency of oscillations of a Colpitt's oscillator, $L = 100 \mu\text{H}$, $C_1 = 100 \text{ pF}$, $C_2 = 1000 \text{ pF}$. (04 Marks)
- 8 a. Derive expression for V_{GSQ} , I_{DQ} , V_{DS} , V_S , V_G and V_D for a self bias JFET circuit. (10 Marks)
 b. Determine I_{DQ} , V_{GSQ} and V_{DS} for the P-channel JFET of Fig. Q8 (b). (10 Marks)

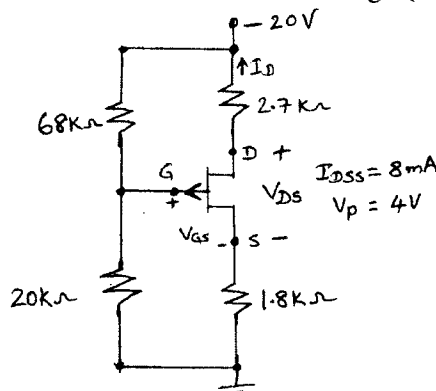


Fig. Q8 (b)

* * * * *